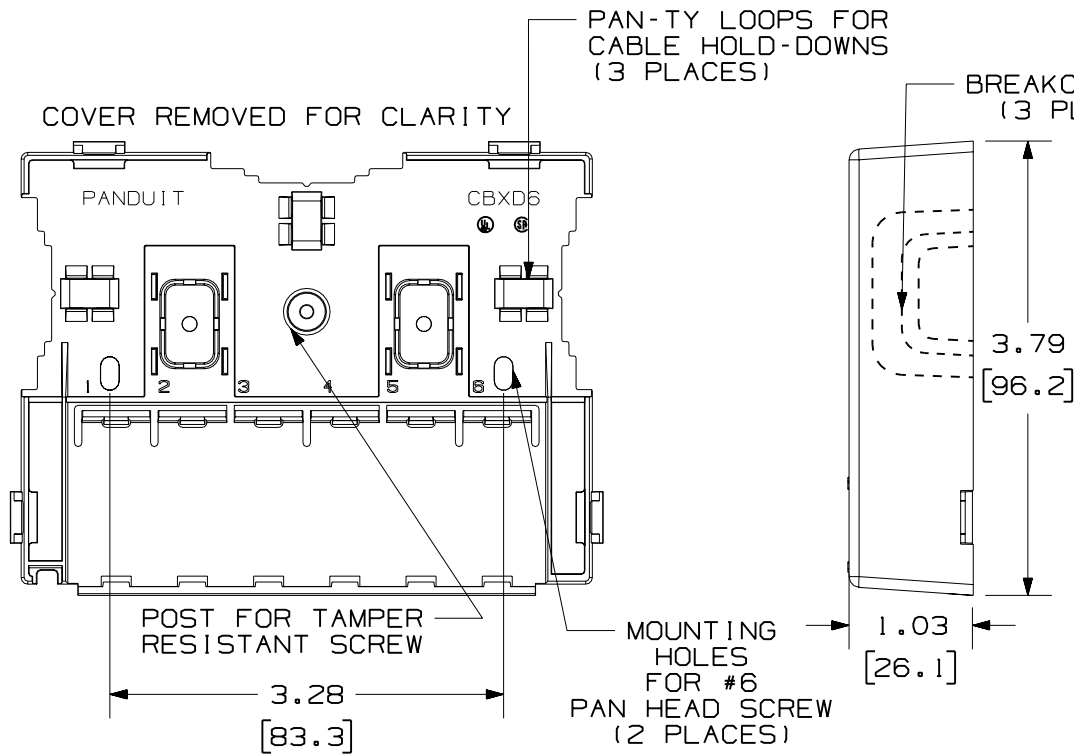


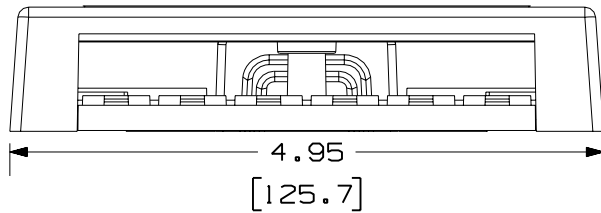
THIS COPY IS PROVIDED ON A RESTRICTED BASIS AND IS NOT TO BE USED IN ANY WAY DETRIMENTAL TO THE INTERESTS OF PANDUIT CORP.



PANDUIT P/N	WEIGHT
CBXD6**-AY	1.63 LB/10 PCS (740.0 g/10 PCS)

NOTES:

- SEE CURRENT CATALOG FOR ADDITIONAL PART NUMBER SUFFIXES TO INDICATE COLOR AND OR PACKAGE QUANTITY.
- SEE CATALOG FOR A COMPLETE LIST OF PARTS APPLICABLE FOR USE WITH THIS PART.
- BOX INCLUDED:
 - 2- PLT1.51-C PAN-TY
 - 2- STRIP OF 1.50" X .75" FOAM TAPE
 - 1- STRIP OF 3.00" X .75" FOAM TAPE
 - 2- #6-32 MOUNTING SCREW
 - 1- MOUNTING SCREW (USED TO SECURE COVER TO BASE)
 - 1- LABEL/LABEL COVER
- BASE HAS TWO POCKETS FOR OPTIONAL MAGNET (CBM-X).
- DIMENSIONS IN [] ARE IN METRIC.
- BREAKOUTS DESIGNED TO ACCEPT LD3/LDP3, LD5/LDP5, AND LD10/LDP10 RACEWAYS.
- BASE MATERIAL THICKNESS: .090 [2.29].



NO WARRANTY, EXPRESSED OR IMPLIED, IS MADE BY PANDUIT WITH RESPECT TO ADHESIVE BOND PERFORMANCE. AMONG OTHER THINGS, THE CONDITIONS UNDER WHICH THESE MOUNTS MAY BE APPLIED AND/OR THE SURFACE TO WHICH THEY MAY BE APPLIED ARE BEYOND PANDUIT'S CONTROL.

DRAWING FILENAME	M02479EQ_DC123_00A.PRT	SIZE	A
------------------	------------------------	------	---

MINI-COM 6 POSITION DEEP COVER SURFACE MOUNT BOX CUSTOMER DRAWING

<p>PANDUITTM CORP. TINLEY PARK, ILL 60477</p>	I.I. NUMBER	N/A
	PRODUCT SPEC	N/A
<p>THIRD ANGLE PROJECTION</p>	WORK INSTRUCTION	N/A
	SCALE	NONE
DRAWN BY JsP	MATERIAL	PART NO. CBXD6**-AY
DATE 12-28-06	ABS	DRAWING NO. 02479-123
CHK'D		

REV	DATE	BY	CHK	DESCRIPTION	ECN	R	CUST	SUP	OTH
R	12-28-06	JsP		RELEASED TO PRODUCTION	02479-123				